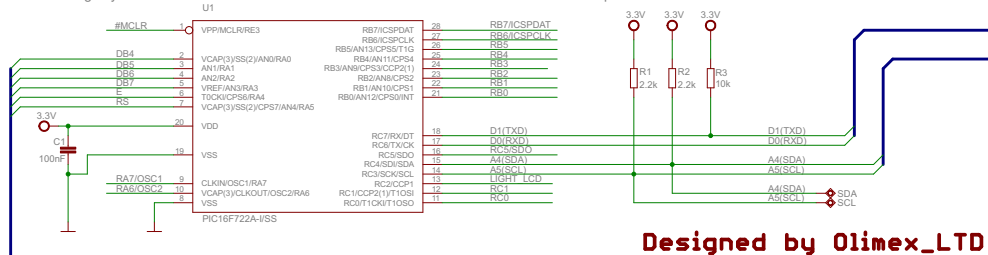
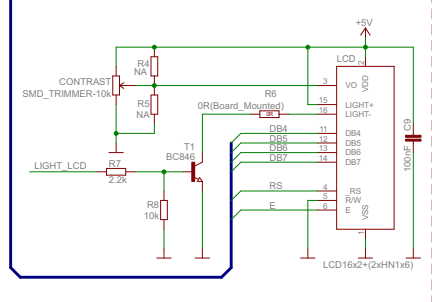


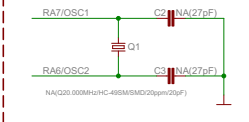
This hardware design by Olimex LTD is licensed under a Creative Commons Attribution-ShareAlike 3.0 Unported License.



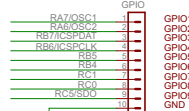
### Display: LCD 2x16



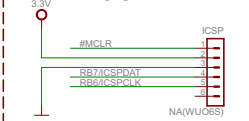
### CRYSTAL



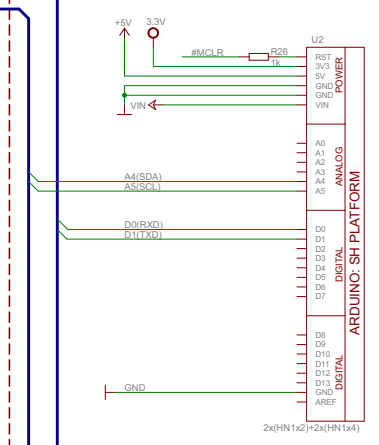
### GPIO Extension



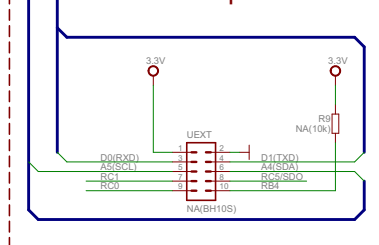
### ICSP



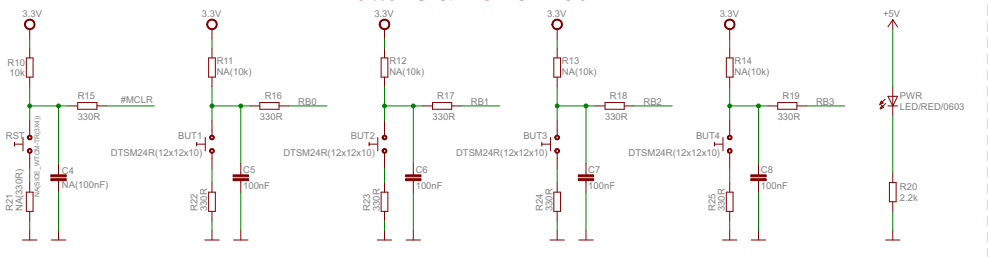
### Arduino Platform



### UEXT -> Option



### Buttons & Power Led



SHIELD-LCD16x2, board revision B

OLIMEX LTD, BULGARIA, PLOVDIV 2014

<https://www.olimex.com>

This hardware design by Olimex LTD is licensed under a Creative Commons Attribution-ShareAlike 3.0 Unported License.