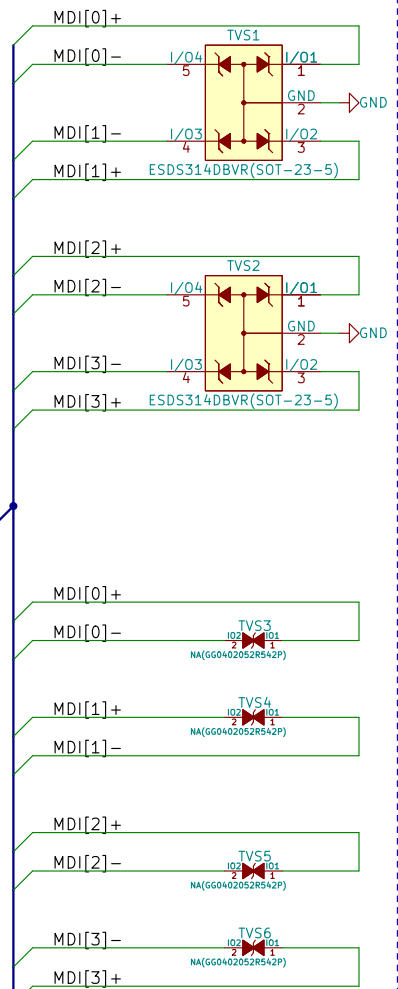
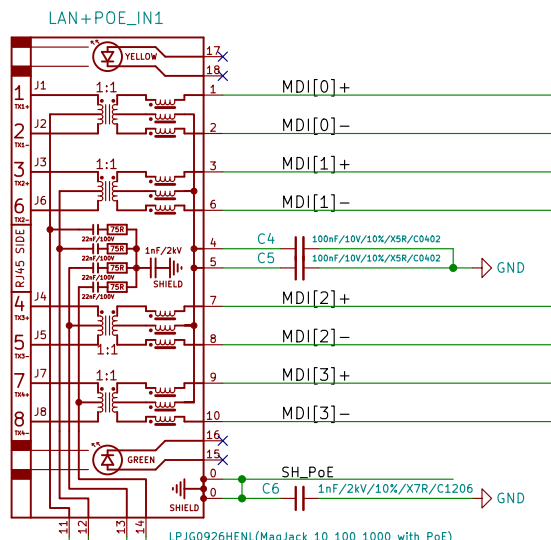


LAN Output

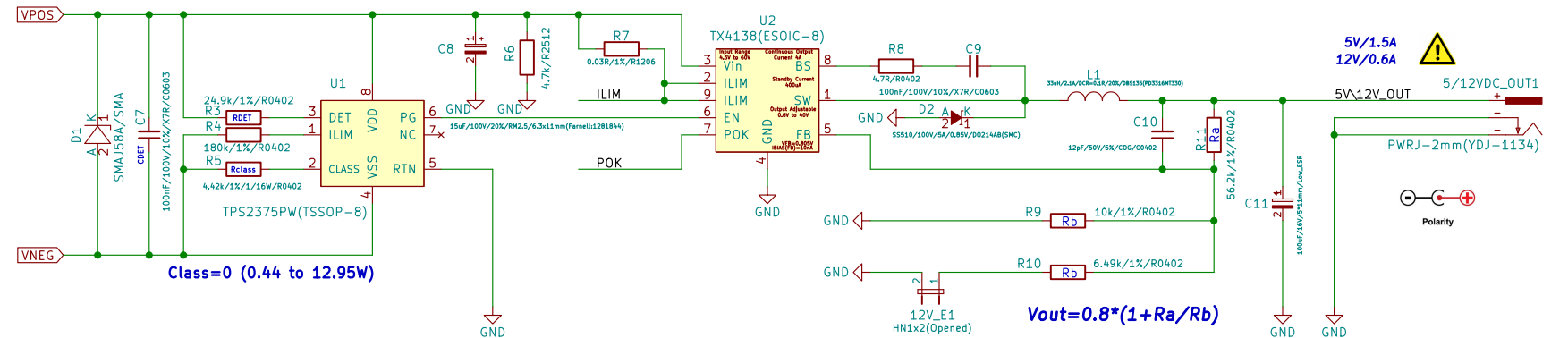


ESD Protection Diodes



LAN+PoE Input

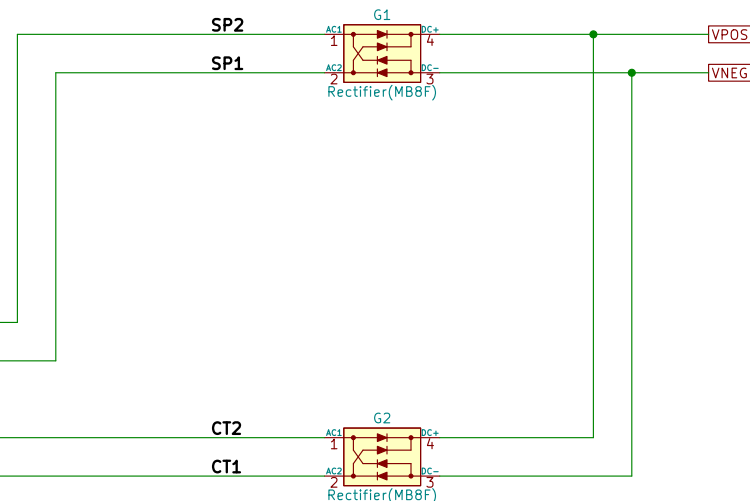
PoE Power Supply Output



MOD-POE-V2, hardware revision E1

www.OLIMEX.com

Bridge Rectifiers



Fiducials



Mounting Holes



OLIMEX

https://www.olimex.com
OLIMEX LTD.

Sheet: /
File: MOD-POE-V2_Rev_E1.sch

Title: MOD-POE-V2

Size: A3 Date: 2022-06-30
KiCad E.D.A. kicad (6.0.2)

Rev: E1
Id: 1/1