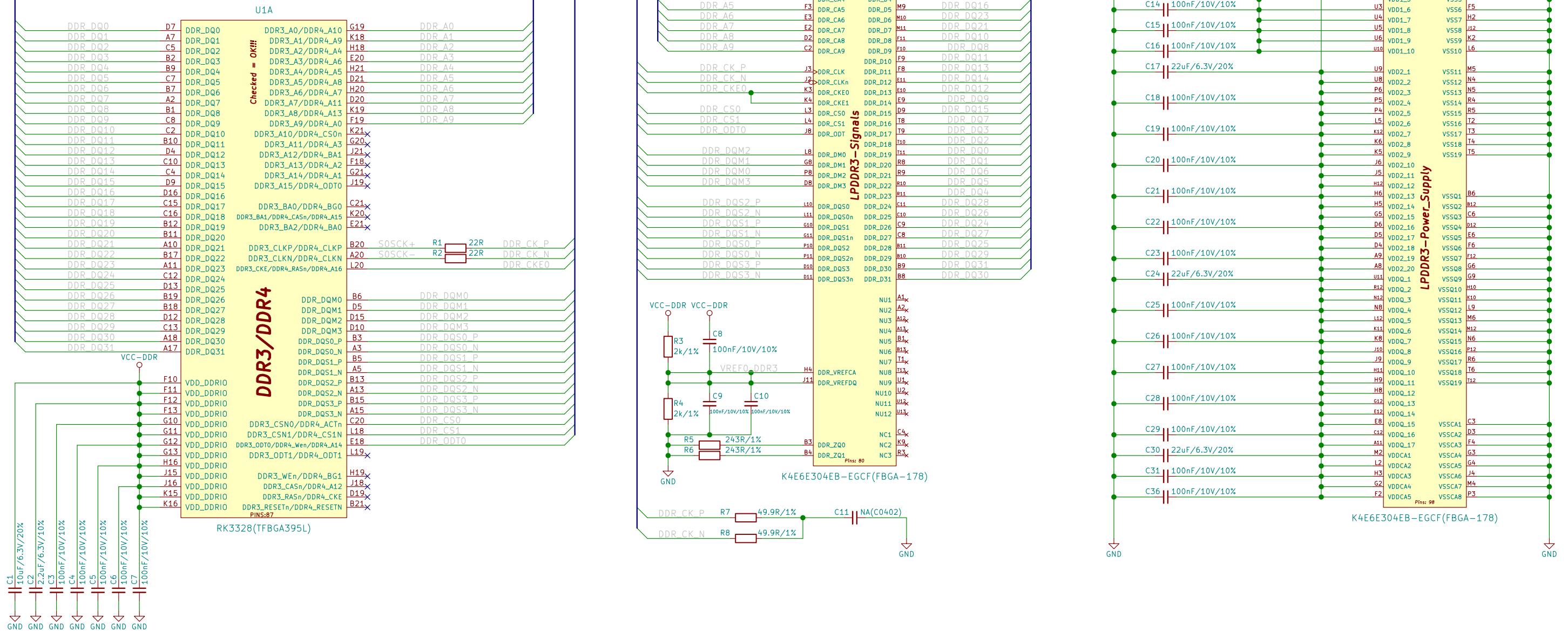


# LPDDR3



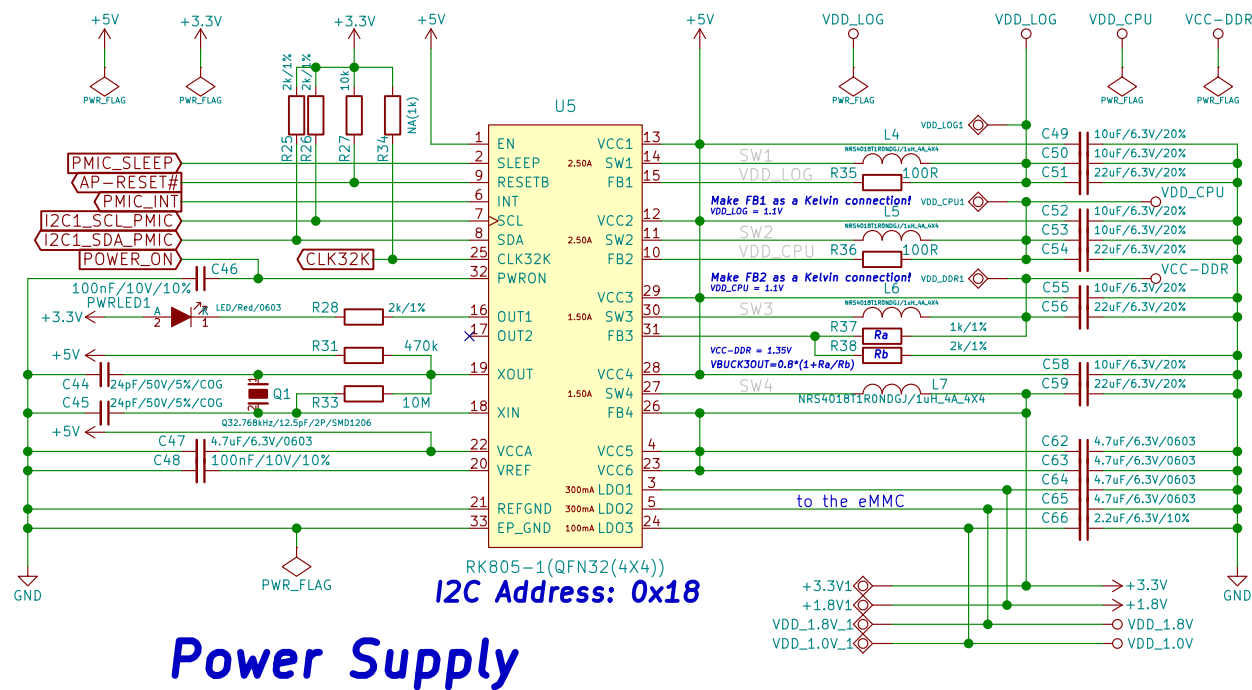
**Note:**

=====  
 We have used a number of fully compatible, but different DDR3 memories due to supply unavailability. In such cases the memory part name in the schematic might remain outdated. It is recommended to always refer to the exact memory name printed on the component itself.



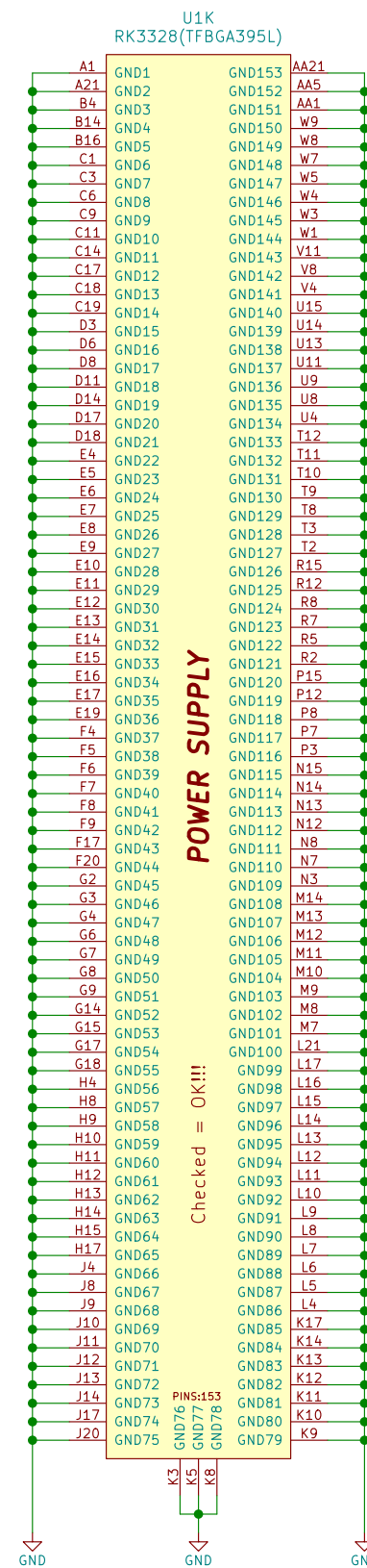
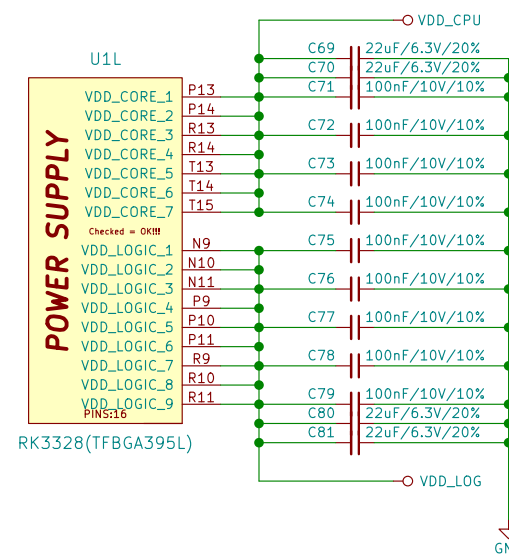
<c> 2022 OLIMEX LTD, Bulgaria	
Sheet: / File: RK3328-SOM_Rev_B.sch	
<b>Title: RK3328-SOM</b>	
Size: A3	Date: 2022-10-17
KiCad E.D.A. kicad 5.1.0-rc2-unknown-036be7d80ubuntu16.04.1	Rev: B Id: 1/3

- FID1 Fiducial
- FID2 Fiducial
- FID3 Fiducial
- FID4 Fiducial
- FID5 Fiducial
- FID6 Fiducial



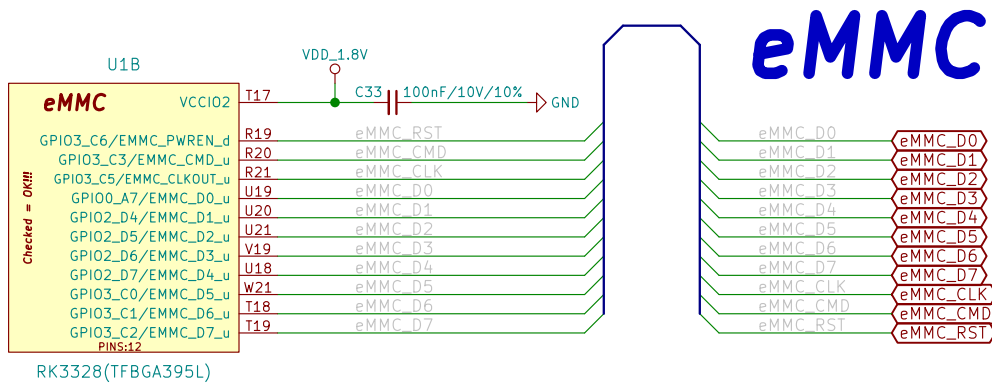
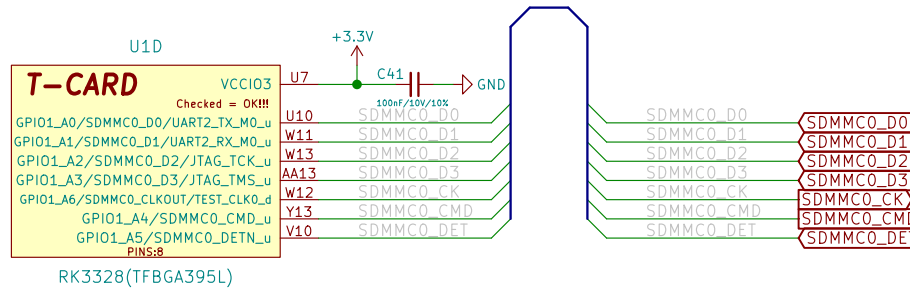
## Power Supply

## Core and Logic Power Supply



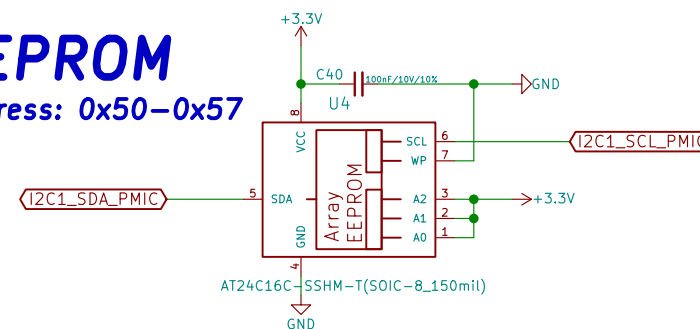
- Boot order:**
1. eMMC
  2. SPI Nor Flash
  3. SPI Nand Flash
  4. SDMMC card
  5. USB OTG (system code download)

## T-Card



## EEPROM

I2C Address: 0x50-0x57



## SPI-Flash

